


PRODUCT FEATURES:

- Wideband receiving whip with spring
- Removable whip antenna for storage
- Protected against lightning and ESD

APPLICATION:

- Wideband monitoring using DF-A0029 or DF-A0095

SPECIFICATIONS:

Product codes:	
MONO-A0099	White base and black whip, with spring
MONO-A0099-01	Painted to match DF antenna, with spring
Electrical:	
Frequency range	9 kHz – 200 MHz
Nominal input impedance	50 Ω
Feed power handling	0.5 W (receive only)
Polarisation	Vertical
Grounding	DC ground with gas arrestor for discharge protection
Internal connectors	SMA (m) on cable
Groundplane requirements	Groundplane dependent
Mechanical:	
Height	700 mm
Height with whip removed	43 mm
Mass	500 g
Mounting	Directly to grounding structure or DF-A0029/95 antenna with supplied bolts
Environmental: designed to meet the following specifications	
Wind survival	160 km/h
Temperature range	-30 °C to +70°C
Water ingress rating	IP65

PRODUCT DESCRIPTION:

The MONO-A0099 is an HF whip designed for monitoring applications in the frequency band.

The whip is loaded along its length to control the elevation pattern of the antenna for optimal gain performance on the horizon. The whip is detachable for storage and transport and has a spring to ensure it can survive in harsh operating environments.

The MONO-A0099 antenna is well suited for the DF-A0029 and DF-A0095 antennas, where it is utilised to improve monitoring sensitivity. Every DF-A0029 and DF-A0095 is already fitted with the necessary internal cables and connectors; this whip antenna is simply connected and bolted on in place of the lifting eye plate.

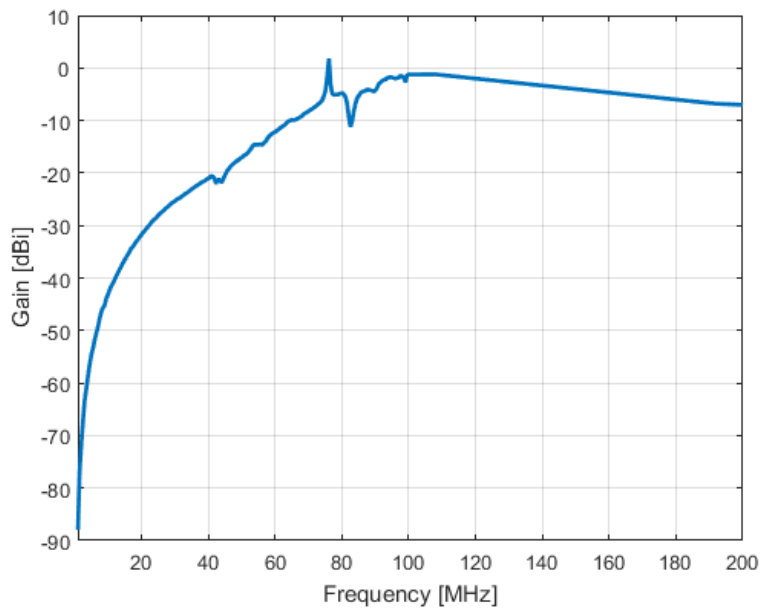
HF Monitoring Whip

9 kHz – 200 MHz

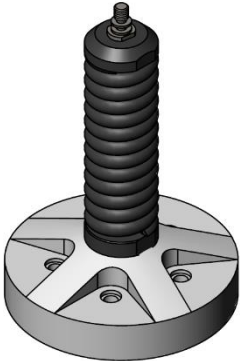

Product Code: MONO-A0099

VERSION: 1.1

Gain:



Spare parts:

	Part #
<p>Base</p> 	MONO-A0099-02
<p>Whip</p> 	MONO-A0099-05